

MecALAC

TLB840R



MecALAC



INSPIRING THE NEXT GENERATION

With almost 60 years' expertise in the design, development and manufacture of backhoe loaders, our world-renowned range is designed to deliver durability, versatility and productivity for the operator. Available in both centre mount and side shift variations, we have the perfect model for every application.

The dual functionality of our backhoe loaders combines the power of a wheel loader and the versatility of a compact excavator into one dynamic machine – productive, cost effective and flexible... enough to boost your bottom line!

Manufactured at our state-of-the-art production facility in the UK, we continue to innovate, setting new standards in compact construction.

KEY FEATURES

- High ground clearance to suit tough terrain
- Excellent operator visibility
- Ergonomically-designed controls
- Easy maintenance access
- Powerful hydraulics make light work of tough tasks
- Excellent lift capacity and bucket breakout force
- LED worklight for improved reliability and worksite illumination







DESIGNED TO GET YOUR JOB DONE



FULLY TILTING HOOD
FOR EASY ENGINE
ACCESS

TIER 4 FINAL 74HP
(55KW) CHARGE AIR
COOLED ENGINE
FOR SMOOTH AND
ECONOMICAL
OPERATION

SOLID CAST
NOSE PROVIDES
IMPROVED WEIGHT

1.3YD3 (1M3)
STANDARD
LOADER BUCKET.
(7IN1 OPTIONAL)

LARGER STEERING
CYLINDER REDUCES
STEERING EFFORT

SYNCHRO SHUTTLE
TRANSMISSION
PROVIDES
TRANSPORT SPEEDS
UP TO 23MPH

**ROPS AND FOPS
CANOPY PROVIDES A
LARGE COMFORTABLE
OPERATORS AREA.
MACHINES WITH
A CAB GET AIR
CONDITIONING AS
STANDARD**

**SERVO EXCAVATOR
CONTROLS WITH ISO/
SAE CHANGEOVER
SWITCH AS STANDARD**

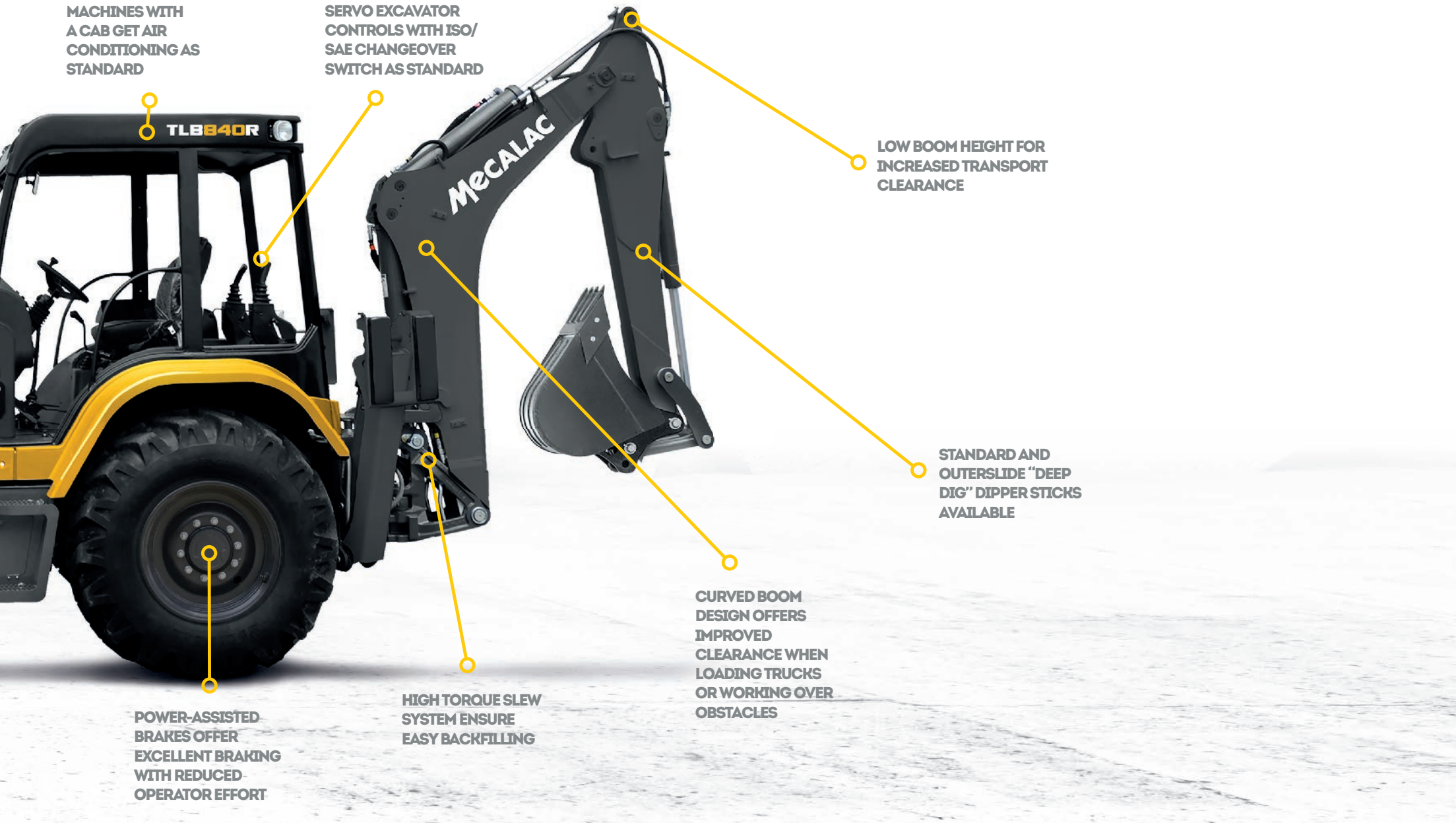
**LOW BOOM HEIGHT FOR
INCREASED TRANSPORT
CLEARANCE**

**STANDARD AND
OUTERSLIDE "DEEP
DIG" DIPPER STICKS
AVAILABLE**

**CURVED BOOM
DESIGN OFFERS
IMPROVED
CLEARANCE WHEN
LOADING TRUCKS
OR WORKING OVER
OBSTACLES**

**HIGH TORQUE SLEW
SYSTEM ENSURE
EASY BACKFILLING**

**POWER-ASSISTED
BRAKES OFFER
EXCELLENT BRAKING
WITH REDUCED
OPERATOR EFFORT**





OPERATOR CONTROLS

Any operator can become instantly familiar with the controls of our backhoe loader, with servo excavator controls as standard the ISO/SAE switch can be used to easily switch between Excavator or Backhoe control patterns.



BACKHOE

The curved boom design provides greater clearance when working over obstacles and the ability to load closer into trucks, increasing versatility. Dig depths of up to 17'10" (5.44m) and ground level reach of up to 22' (6.7m) can be achieved with the optional "Deep Dig" dipper stick.



ENGINE

The powerful 74hp (55kw) engine with 288lbft (390Nm) of torque meets Tier 4 Final emissions requirements without the use of a Diesel Particulate Filter (DPF) or Selective Catalytic Reduction (SCR / Adblue). A "life of the engine" Diesel oxidation Catalyst (DOC) is fitted which requires no regeneration, servicing or cleaning



TRANSMISSION

The synchro shuttle transmission provides smooth shifting between all 4 gears and transport speeds of up to 23mph (38kph). Power assisted brakes and selectable 4 wheel braking ensure high braking forces with low operator effort.



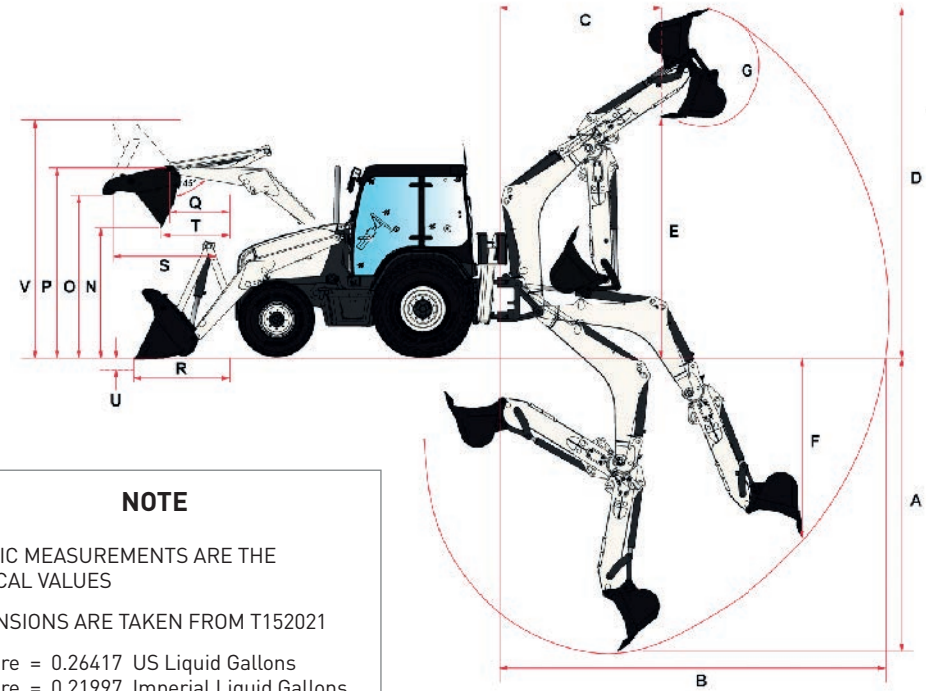
→ TECHNICAL DATA

BACKHOE DIMENSIONS*		Standard Dipper		Deep Dig Dipper	
				Retracted	Extended
A	Dig depth Maximum SAE 2 ft Flat Bottom SAE	14'6" (4411mm)	14'3" (4337mm)	14'6" (4411mm)	17'10" (5438mm)
B	Reach – ground level to slew	18'8" (5695 mm)	18'8" (5695 mm)	18'8" (5695 mm)	21'11" (6670 mm)
C	Loading reach	7'7" (2302 mm)	7'7" (2302 mm)	7'7" (2302 mm)	10'4" (3156 mm)
D	Operating height	17'0" (5182 mm)	17'0" (5182 mm)	17'0" (5182 mm)	18'12" (5782 mm)
E	Loading height SAE	11'9" (3569 mm)	11'9" (3569 mm)	11'9" (3569 mm)	13'8" (4168 mm)
	Max dumping height	11'4" (3446 mm)	11'4" (3446 mm)	11'4" (3446 mm)	13'3" (4046 mm)
F	Straight wall dig depth	7'6" (2298 mm)	7'6" (2298 mm)	7'6" (2298 mm)	10'6" (3210 mm)
G	Bucket rotation degrees	Speed	194	194	194
		Power	164	164	164
	Stabiliser spread	9'9" (2980 mm)	9'9" (2980 mm)	9'9" (2980 mm)	9'9" (2980 mm)
	Max. levelling angle degrees	12	12	12	12

*Includes standard 600mm HD bucket.

LOADER DIMENSIONS		Standard / 7in1 Bucket	
N	Dump clearance – at 45°		8'7" (2609 mm)
O	Loader height		10'4" (3145 mm)
P	Hinge pin height		11'2" (3401 mm)
Q	Pin forward reach		1'5" (430 mm)
R	Reach at ground		5'0" (1525 mm)
S	Max. reach at full height		2'7" (776 mm)
T	Reach at full height – at 45°		2'5" (732 mm)
	Dig depth		0'10" (251 mm)
U	Rollback at ground		48°
	Max. dump angle fully raised		50°
V	Overall operating height		14'1" (4304 mm)

BACKHOE PERFORMANCE		Standard Dipper		Deep Dig Dipper	
				Retracted	Extended
		Standard Bucket HD Bucket	Standard Bucket HD Bucket	Standard Bucket HD Bucket	Standard Bucket HD Bucket
	Max slew torque kNm (lbf-ft)	21 (15488.8)		21 (15488.8)	21 (15488.8)
	Dipper tearout kN (lbf) [SAE J49 Standard]	35.4 (7958) 35.4 (7958)		35.4 (7958) 35.4 (7958)	26 (5845) 26 (5845)
Bucket tearout kN (lbf)	Speed	47 (10566) 47 (10566)	47 (10566) 47 (10566)	47 (10566) 47 (10566)	47 (10566) 47 (10566)
	Power	54 (12140) 54 (12140)	54 (12140) 54 (12140)	54 (12140) 54 (12140)	54 (12140) 54 (12140)

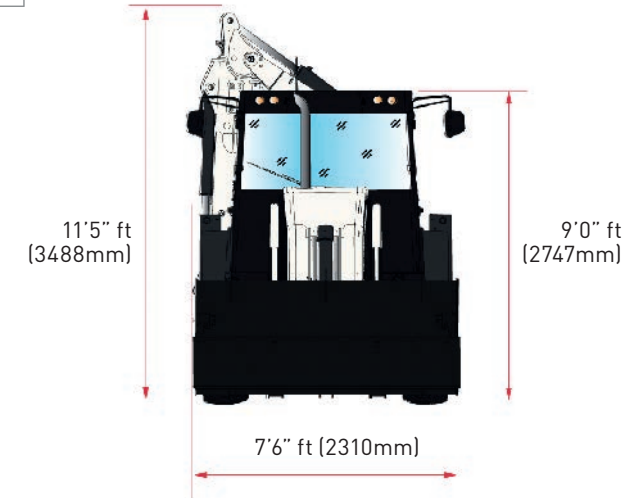


NOTE

METRIC MEASUREMENTS ARE THE CRITICAL VALUES

DIMENSIONS ARE TAKEN FROM T152021

- 1 Litre = 0.26417 US Liquid Gallons
- 1 Litre = 0.21997 Imperial Liquid Gallons



NOTE: IMAGE IS FOR REFERENCE PURPOSE ONLY

ENGINE

Deutz TCD 3.6 L4 (Tier 4 Final)	Torque Rise 63% Electronic fuel injection
Cylinders	4
Capacity	3.6 L [219.6 in ³]
Rated speed	2200 rpm
Gross power @ 2200rpm Cert. rating to ISO 14396:2002	55.4 kW [74.0 hp]
Derived net rating @ 2200 rpm	51.9 kW* [69.6 hp*]
Max Torque @ 1300 rpm	
ISO 14396	390 Nm [288 lbf]

*Nominal non-certified values.

ELECTRICAL SYSTEM

External wiring and connectors meet IP69k standard
Maintenance free battery
12 volt negative ground
Battery isolator
95 amp alternator
Blade type fuses
110 A/hr single battery with 920 CCA – EN Standard

CAPACITIES

Ltrs [gals]

Fuel tank	140 [37.0]
Engine coolant	17 [4.5]
Engine oil (including filter)	8 [2.11]
Synchro shuttle transmission	20 [5.3]
Rear axle (including final drives)	17.1 [4.5]
Front axle (including final drives)	6.9 [1.52]
Hydraulic tank	52 [13.7]

AXLES AND BRAKES

Outboard planetary drives for easier servicing
Foot operated differential lock with 100% lockup
16° front axle oscillation to maintain maximum ground contact to traction
Power boosted inboard wet disc brakes
Self equalizing and self adjusting brakes
Selectable 2 or 4 wheel braking

Axle Ratings	Max Static Loading	Max Dynamic Loading
Front kN (lbf)	175 [39342]	70 [15737]
Rear kN (lbf)	187.5 [42152]	75 [16861]

TURNING CIRCLES

	Over Tyres	Over Bucket
Without brakes m (ft)	7.9 [25'11"]	10.9 [35'9"]
With brakes m (ft)	7 [23']	10 [32'10"]

TRANSMISSION

4 Speed synchro shuttle gearbox	
Modulated forward and reverse clutch packs enable smooth direction changes	
De-clutch button on gear lever	
Direction control with neutral safety interlock	
Single stage torque converter with 3:01:1 stall ratio	
Tyres	Front: 12 x 16.5 12 PR SKS XTRA Rear: 19.5 x 24 12 PR SLA R4
Travel Speeds	Forward/Reverse Km/h [mph]
1st	5 [3]
2nd	8 [5]
3rd	19 [12]
4th	38 [24]

HYDRAULIC SYSTEM

Tandem gear pumps with inloader valve	
Open centre valves	
External oil level gauge	
125 micron suction strainer	
10 micron return line filter	
10 micron filler breather	
Main pump flow @ 2200 rpm L/min(gpm US / gpm)	83 [22 / 18]
Secondary pump flow @ 2200 rpm L/min(gpm US / gpm)	45 [12 / 10]
System main relief setting bar (psi)	250 [3626]

OPERATING WEIGHTS

Base Machine Weight*	7320 kg [16138 lbs]
Add/Delete	
Deep dig dipper	+ 295 kg [650 lbs]
ROPS frame	- 185 kg [408 lbs]

*Base operating weight includes cab, standard loader bucket, standard dipper stick, 24 in | 600 mm bucket, full fuel tank, standard counter weight 407.85 lbs | 182Kg and 165 lbs | 75Kg operator.

LOADER PERFORMANCE

	Standard Bucket
Bucket breakout* kN (lbf)	42 [9441.98]
Arms breakout* kN (lbf)	46 [10341.2]
Lift capacity to full height** kg (lbs)	3759.34 kg [8287]
Rated operating capacity** kg (lbs)	2813.55 kg [6202]

*Loader specifications are stated in accordance with ISO 14397 and EN474 Part 4.

**Based on basic machine configuration; cab, standard loader bucket, standard dipper stick, 24 in | 600 mm bucket, full fuel tank.



TLB840R



THE RIGHT TOOLS FOR THE JOB

Alongside standard fittings, we offer a comprehensive range of attachments to make your backhoe the perfect tool for every job.

PALLET FORKS

- Safe working load at 500mm load centre – 2500kg
- Class 2B 100mm (4in) x 40mm (1.6in)
- Weight 228kg

HIGH-TIP BUCKET

- Heaped capacity of 0.97m³
- Dump height of 4100mm
- Weight 840kg

LOADER QUICK ATTACH

- Simple design
- Mechanical or hydraulic locking
- Picks up standard and 7-in-1 buckets

FARM FORK AND GRAPPLE

- 2290mm wide
- Perfect for handling manure and silage
- Can also be used in recycling applications

BROOM BUCKET

- Bucket capacity 0.58m³
- Max width 2750mm
- Max flow 76L/min
- Maximum pressure 207bar

7-IN-1 BUCKET

- Digging
- Loading
- Dozing
- Scraping
- Spreading
- Grabbing
- Lifting

HYDRAULIC BREAKER

- Powerful performance
- Max energy per blow 1100 Joules
- Blow rate 550-1100 per min
- Simple servicing

EXCAVATOR QUICK ATTACHES

- Hydraulic version enables bucket changing from the cab
- Picks up competitive buckets
- Mechanical version available

→ STANDARD AND OPTIONAL EQUIPMENT

ENGINE

Deutz 3.6TCD L4 (Tier 4 Final)
Diesel oxidation catalyst (DOC)
Wastegate turbo and charge air cooled
Electric fuel pump
Common rail fuel injection
4 Glow plug starting aid
Horizontal spin on oil filter
Primary fuel filter with water separator
Vertical element secondary fuel filter
500hr service period
Oil to air/water plate type oil cooler
Engine gradeability fore/aft and side/side of 30°
Anti-freeze rated to -37°C
Coolant header tank
Alternator, fan and water pump drive by Multi V belt
Puller type 6 blade cooling fan
Dual element powercore air cleaner
Stainless steel exhaust stack
Fan Guard

DRIVE LINE

Synchro shuttle transmission 4F/4R speeds
Direction control with neutral safety interlock
Transmission de-clutch on gear and loader controls
Torque converter stall ratio 3.01:1
Easy clean transmission oil cooler
Vertical element oil filter
Foot operated electro/hydraulic differential lock
Inboard planetary final drive axles
Large capacity inboard oil immersed disc brakes - 3 kevlar friction discs per side
Brakes self adjusting and self equalising
Dual brake pedals with combined or independent use
Internal wet disc parking brake - max parking slope (unladen) 1:2 - Laden 1:2.5
Hydrostatic steering with emergency manual operation
4wd Standard
Selectable 2 and 4 wheel braking in all gears
Selectable 2 and 4wdi

CAB AND CANOPY

ROPS/FOPS conform to ISO3471/3449
Access from both sides
Self cleaning footsteps and large grab handles
Anti slip floor mat (Canopy)
Internal rear view mirror
2 Cup holders
Coat hook
Tilt adjustable steering wheel
Side console mounted horn switch
Seat storage for operators manual
2in (51mm) retractable seat belt
Vinyl seat with mechanical suspension (canopy)
1 Auxiliary 12 volt outlet
Cab with 2 door access
Opening rear quarter windows with internal operation
Full depth up and over rear window
Laminated windscreen
Tinted toughened safety glass
Front and rear screen washer and wipers
Fabric seat with mechanical suspension
Cab heater (7.37kw) with Air conditioning (7.6kw cooling)
Front side lights with direction indicators
Internal noise level 78dB (a)
Digital gauge for warning lights, fuel level, engine temperature, RPM and machine hours.
4 Front and 4 rear worklights
2 External power points for beacons

CANOPY OPTIONS

Windscreen with wiper
Lockable vandal covers

CAB OPTIONS

3inch seat belt
Folding external rear view mirrors
Steering wheel spinner

LOADER

Hydro-Mechanical self leveling
Control lever with transmission disconnect button
Single bucket cylinder
Bucket cylinder cushioning
Return to dig
Float position with positive hold
Bucket level indicator
Integral loader arm safety bar
Standard 1m ³ bucket with lifting eye
Bucket teeth or bolt on reversible cutting edge

OPTIONS

7in1 1m ³ bucket with lifting eye
3rd Hydraulic line with standard bucket
Pallet forks with safe working load of 1000kg
Ride control
Loader bucket return to dig

BACKHOE

Curved style boom
Standard dipperstick
Outer slide "deep dig" dipperstick
Externally adjustable lubrication free wear pads
Thumb cylinder mounting bracket incorporated
Replaceable serrated clamping plates
Dual transport lock - cable operated
Servo excavator controls
ISO/SAE pattern change switch
24" Heavy duty excavator bucket
Stab leg lock out valves

OPTIONS

Mechanical quick attach
Auxiliary hydraulics with single and double acting operation

GENERAL POINTS

Heavy duty chassis construction
Lockable side mounted toolbox
Fully tilting engine hood
Front hard nose counter weight
Lifting eyes and tie downs (2 front and rear)
12.5" Front and 24" rear Mitas tyres

OPTIONS

Front fenders
Cold start kit

